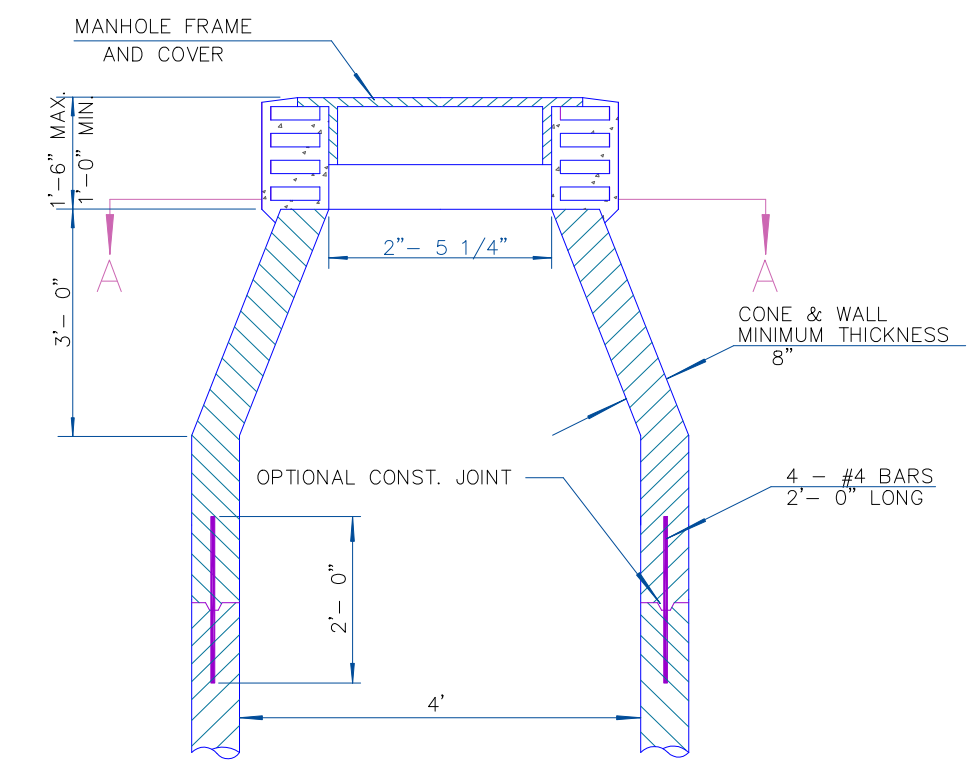


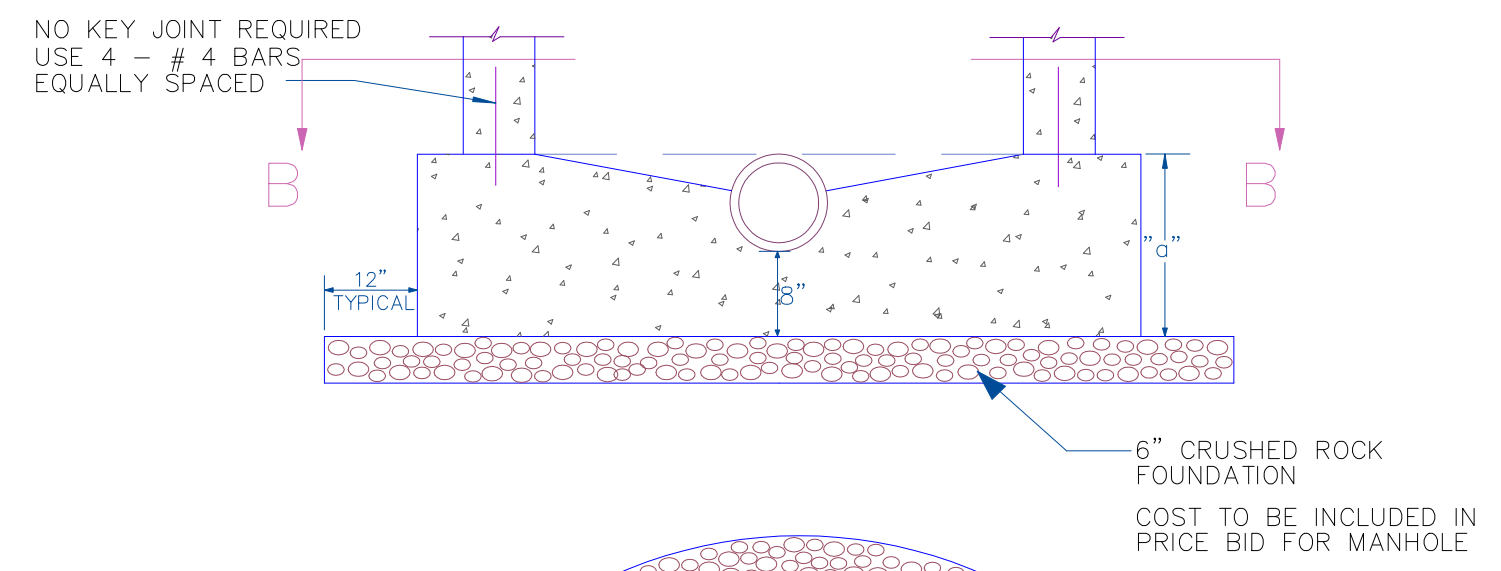
GENERAL NOTES

1. Castings shall conform to the A.S.T.M. Specifications for Gray-Iron Castings, Serial Designation A 48-29
2. When each cover is placed in any position in its associated frame, the side play in any direction shall not exceed one-eighth (1/8") inch.
3. No wording or marking of any kind, other than those shown on the plan, will be permitted on these castings.



SECTION A - A

MANHOLE DETAIL

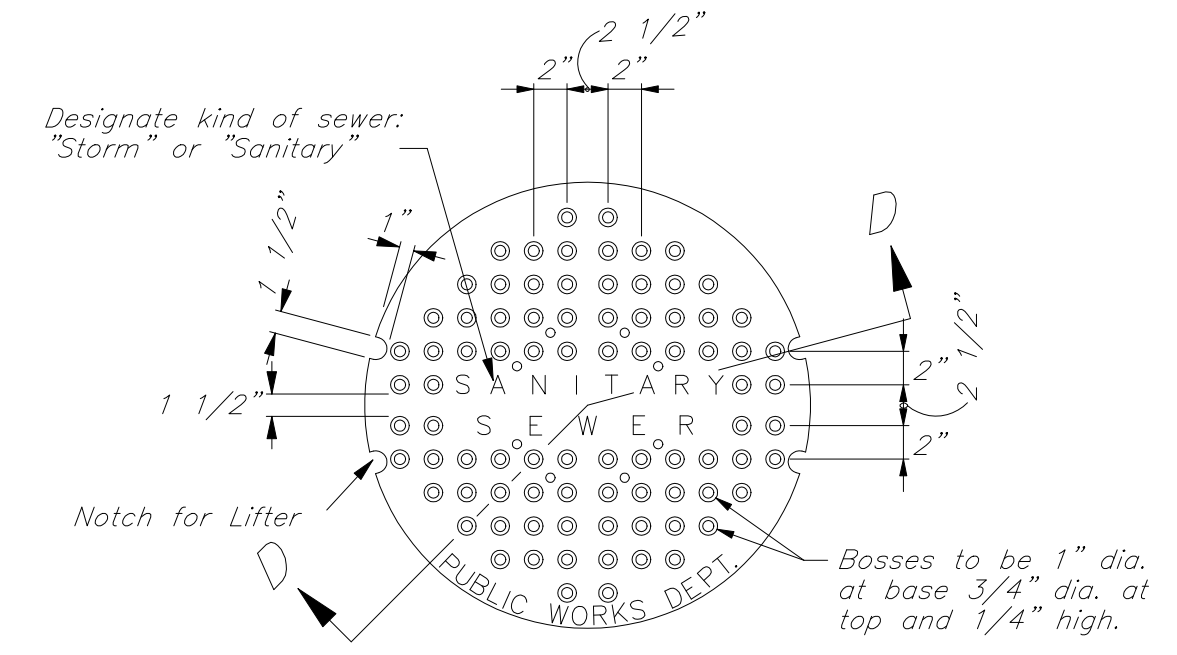


SECTION B-B

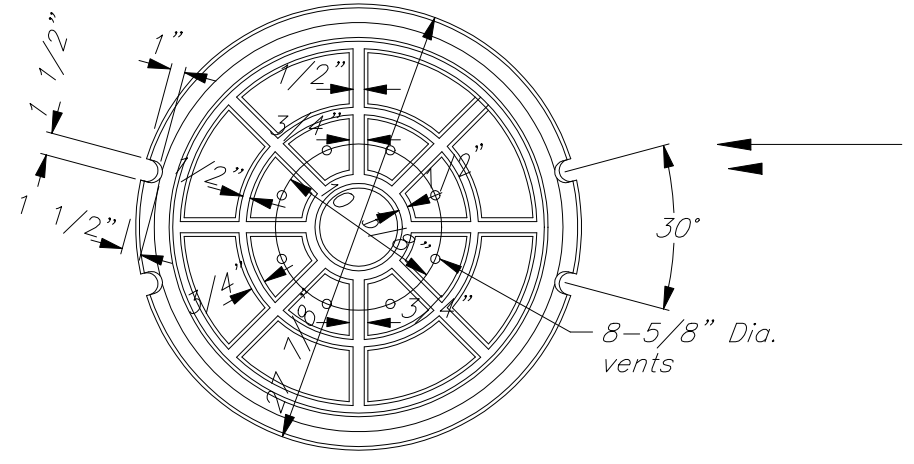
STANDARD DETAIL FOR MANHOLE BASE SECTION

SCHEDULE OF THICKNESS

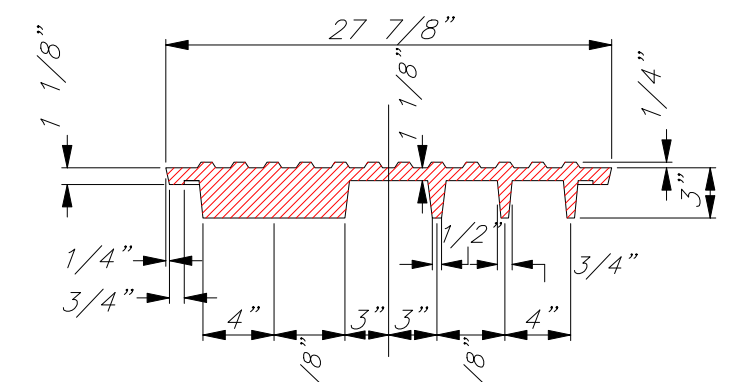
PIPE DIAMETER	α
8"	1'-8"
10"	1'-10"
12"	2'-1"
15"	2'-4"
18"	2'-8"
21"	3'-0"
24"	3'-3"



PLAN OF TOP

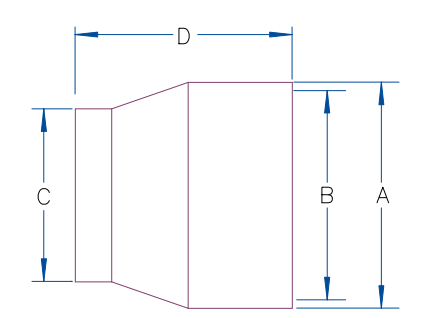


PLAN OF UNDERSIDE

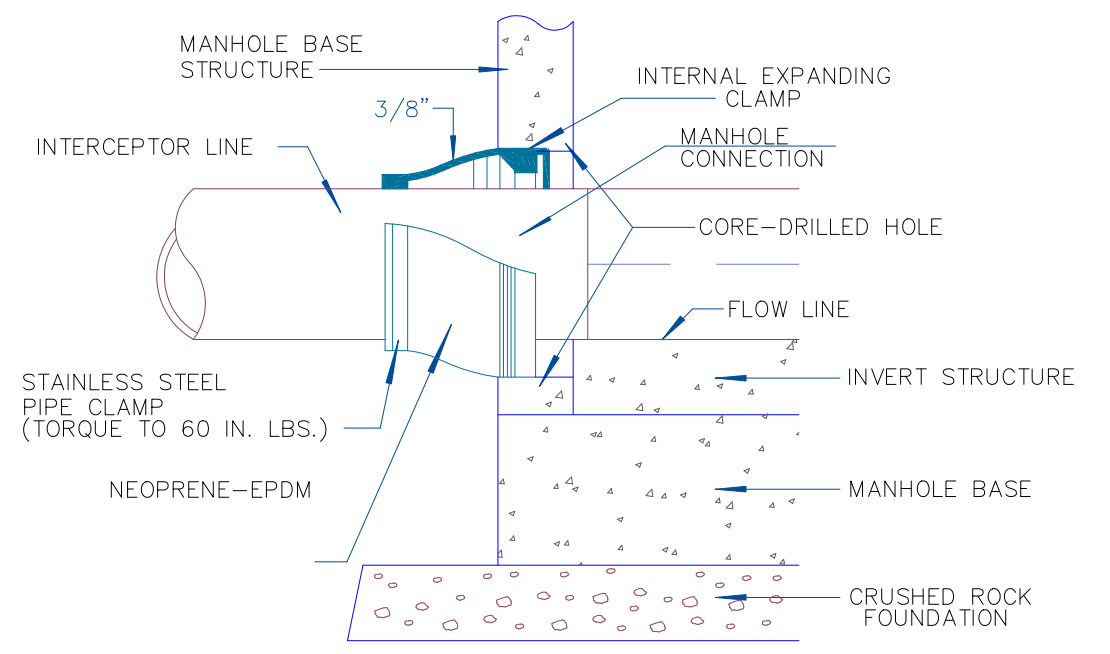


SECTION D-D STANDARD COVER

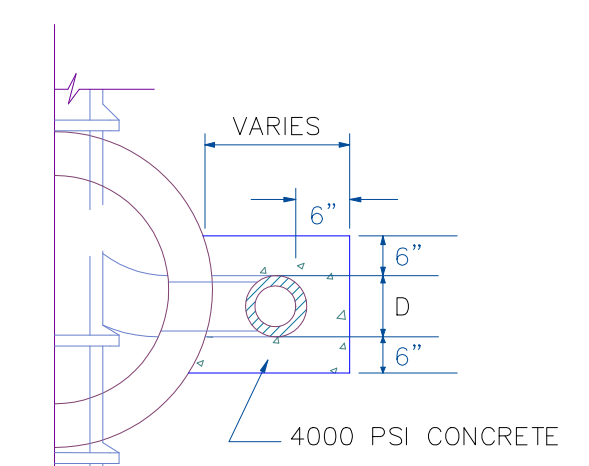
- NOTE:
1. ALL PIPE SHALL BE STAINLESS STEEL
 2. NEOPRENE-EPDM BLENDED COMPOUND BOOT SHALL MEET ASTM C-923



SUGGESTED PIPE O.D. RANGE (IN.)	HOLE & BOOT DIAMETER DIMENSIONS			
	A	B	C	D
3 1/2" - 4 1/2"	7"	6 1/8"	4 1/4"	6"
5 3/8" - 7"	12"	10 7/8"	6 1/2"	8"
7" - 8 1/2"	12"	10 7/8"	8"	8"
8 3/16" - 9 3/4"	12"	10 7/8"	9 1/4"	8"
9 1/4" - 11"	16"	14 7/8"	10 1/2"	8"
10 3/4" - 12 1/2"	16"	14 7/8"	12"	8"
12" - 13 3/4"	16"	14 7/8"	13 1/4"	8"
14 1/2" - 16 1/4"	20"	18 7/8"	15 3/4"	8"
15 3/4" - 17 1/2"	20"	18 7/8"	17"	8"
19 1/2" - 21 1/4"	24"	22 7/8"	20 3/4"	8"

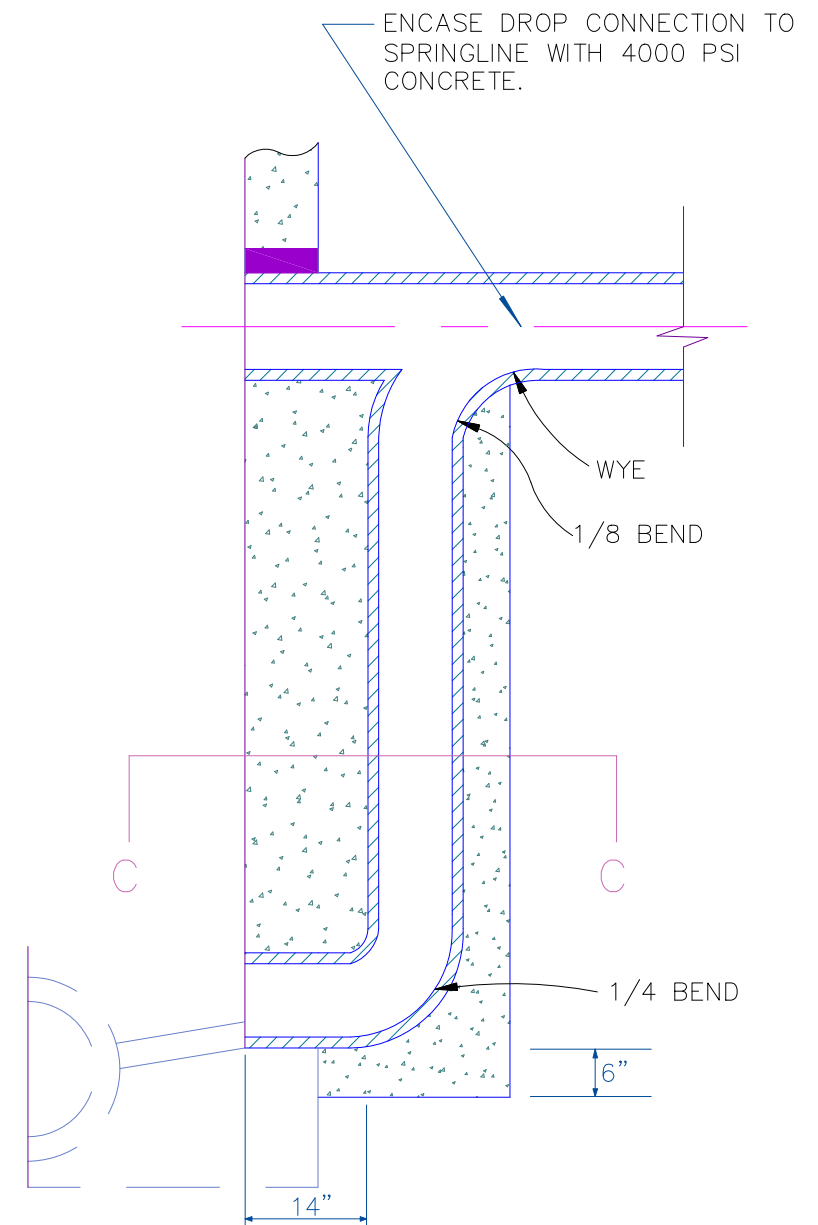


MANHOLE-PIPE CONNECTION

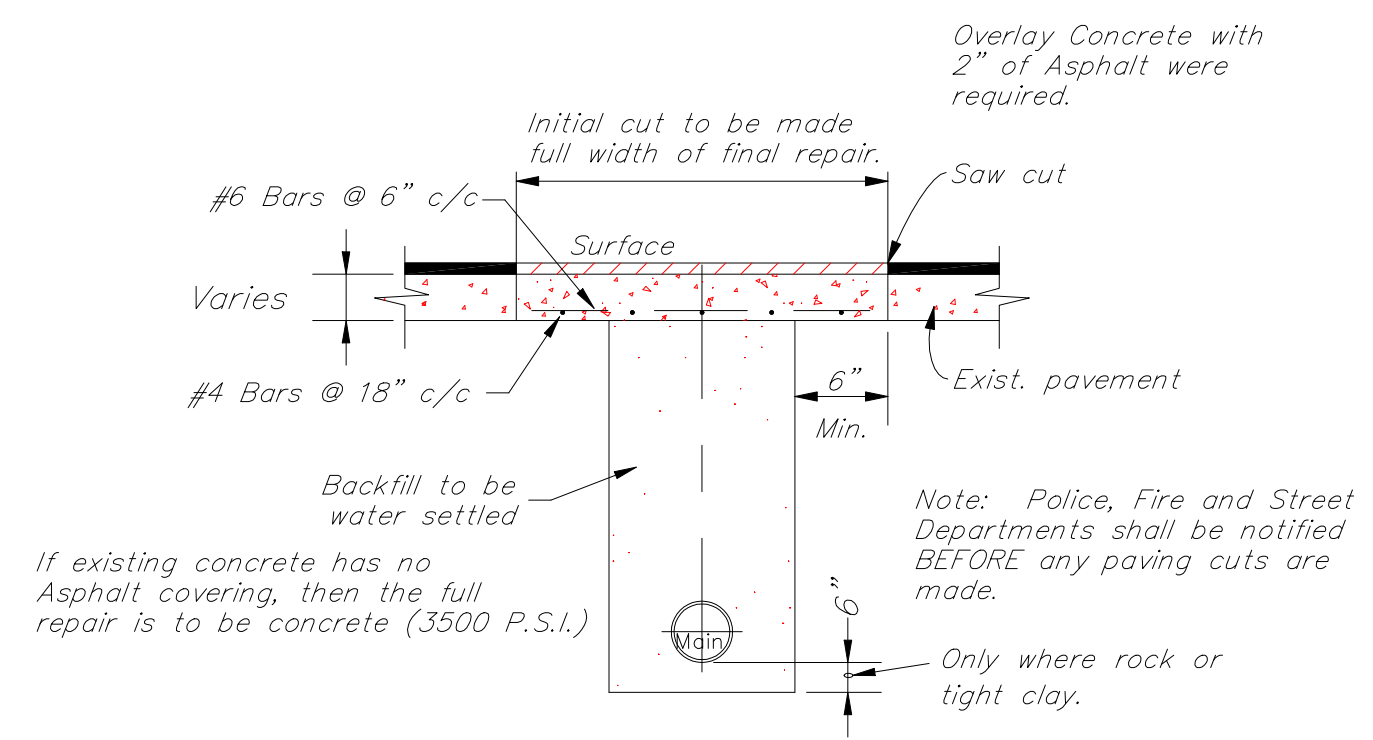


SECTION C-C

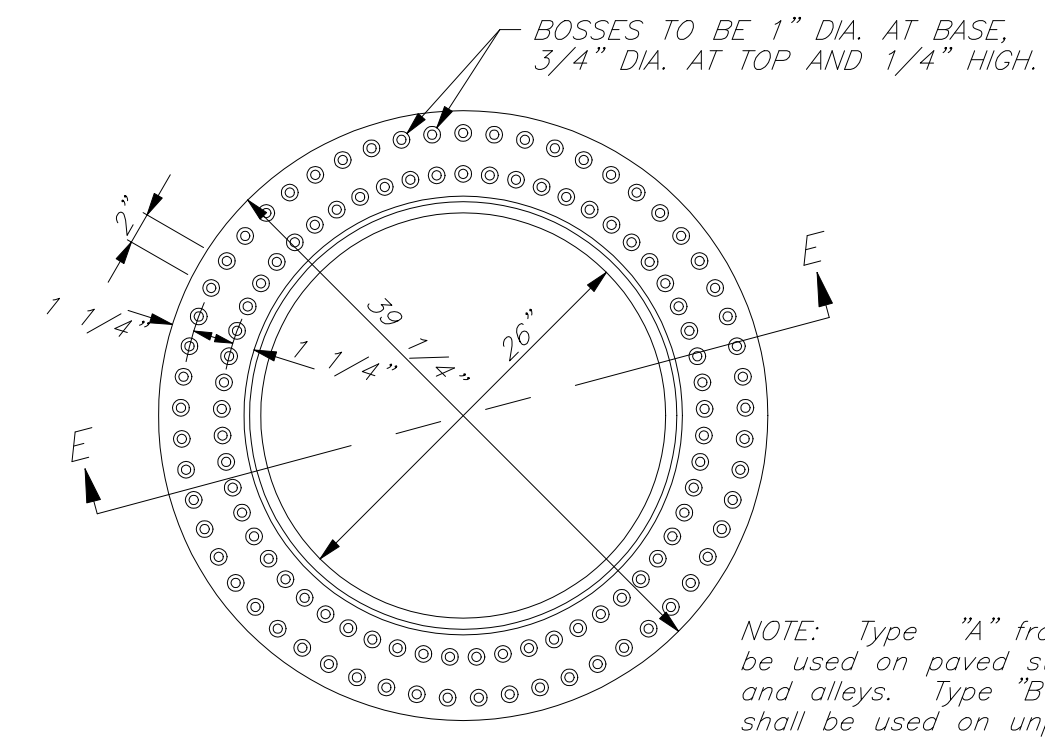
MANHOLE DROP CONNECTION



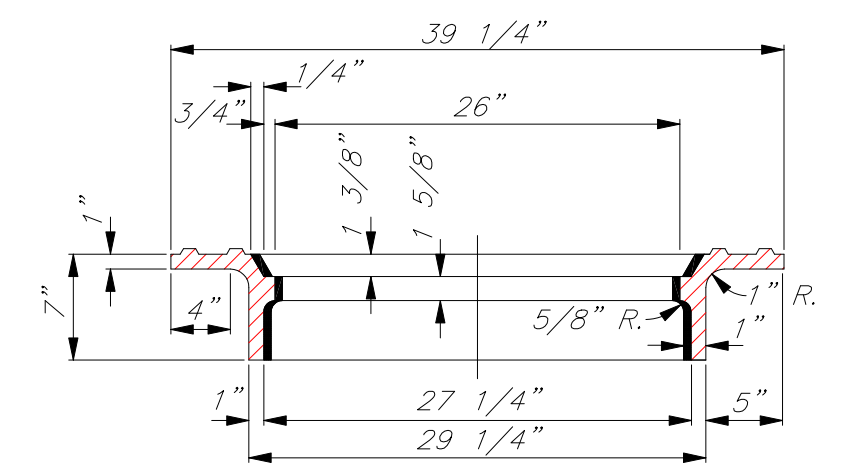
STREET CROSSING



TYPICAL TRENCH SECTION



SECTION E-E STANDARD FRAME TYPE B



SECTION E-E STANDARD FRAME TYPE A

STANDARD MANHOLE FRAMES

MIDWEST CITY ENGINEERING DEPARTMENT

STANDARD SEWER LINE DETAILS

F.A. PROJECT-NO. SHEET-NO. COUNTY

DATE-STAMP