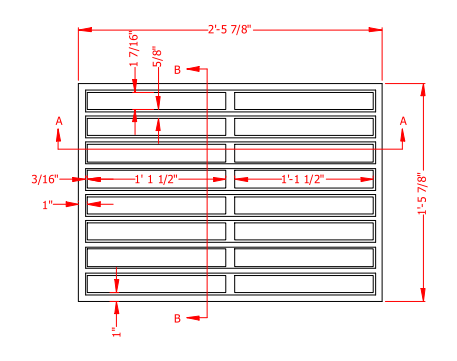
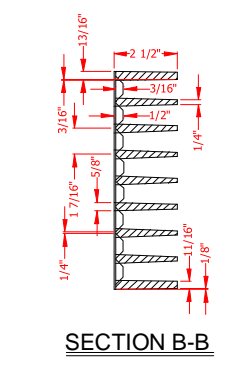


#1 CAST IRON STORM SEWER INLET FRAME WITH CURB INLET HOOD



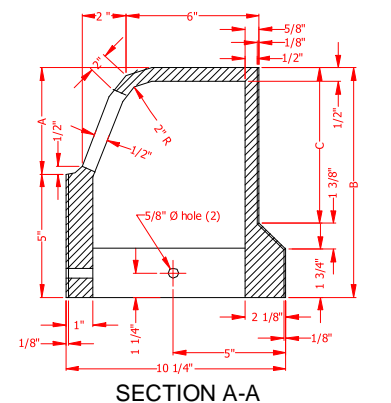
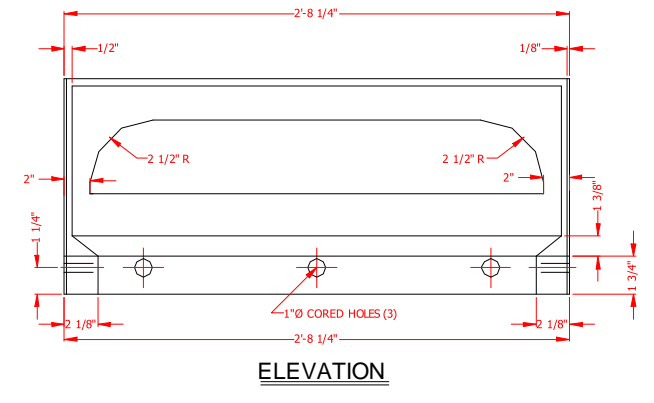
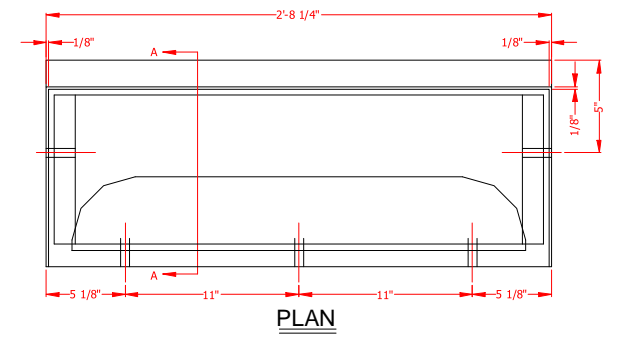
BRICK OPTION IN PLACE OF CONCRETE  
HOLD INSIDE DIMENSION GIVEN FOR CONCRETE  
6" P.C. CONCRETE FLOOR & 8" BRICK WALLS

MIN. QUANTITIES REQ'D.	2-0	2-1	2-2	2-3	2-4
BRICK (1/2" JOINTS)	445	725	995	1250	1495
1:2 MORTAR C.Y.	0.32	0.53	0.72	0.95	1.09
3500 CONCRETE C.Y.	0.4	0.60	0.80	1.00	1.20

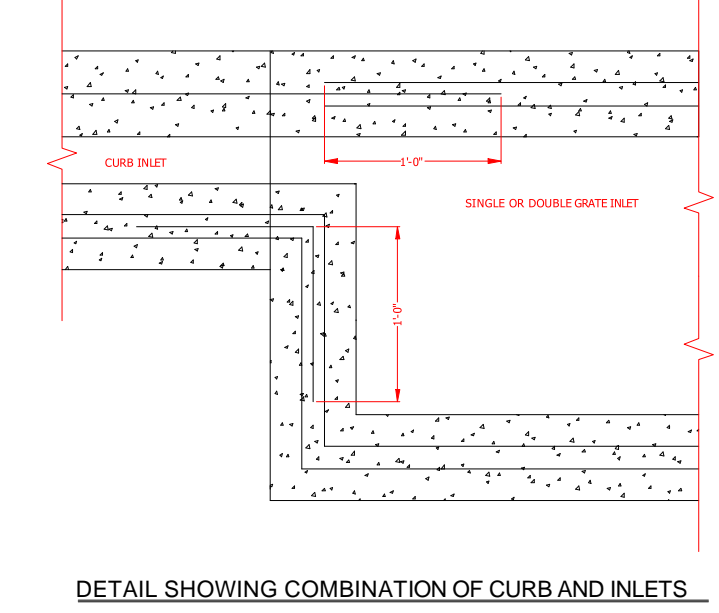
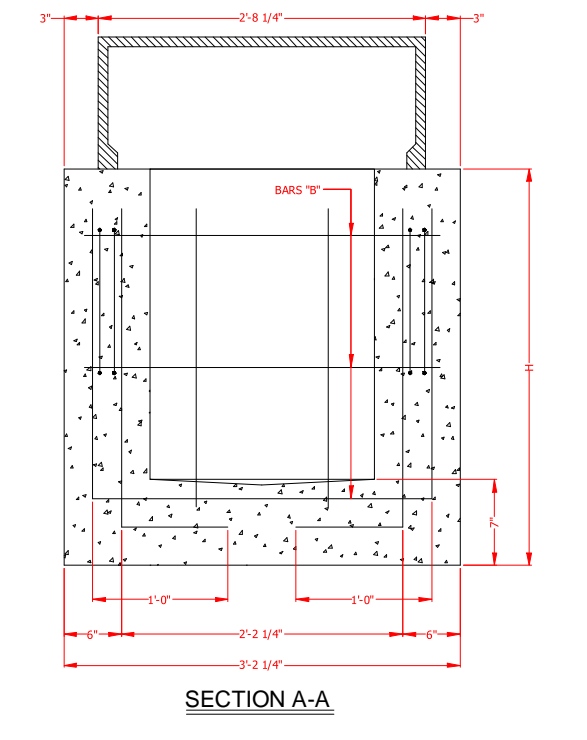
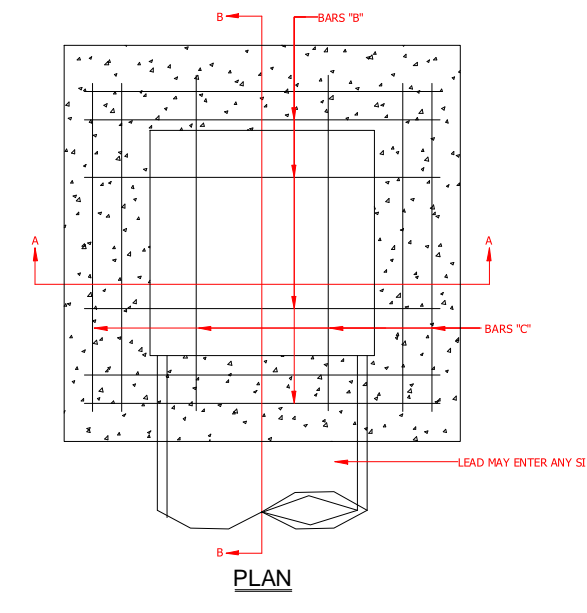
#	CAST IRON INLET NUMBER		
	#1 INLET	TYPE B GRATE	#2 INLET
2-0	2	2	
2-1	2	2	2
2-2		2	4
2-3	2	2	6
2-4	2	2	8

STEEL CASTING SHALL CONFORM TO THE REQUIREMENTS FOR GRADE B-2, FULL ANNEALED, OF THE A.S.T.M. SPECIFICATIONS, SERIAL DESIGNATION A27.

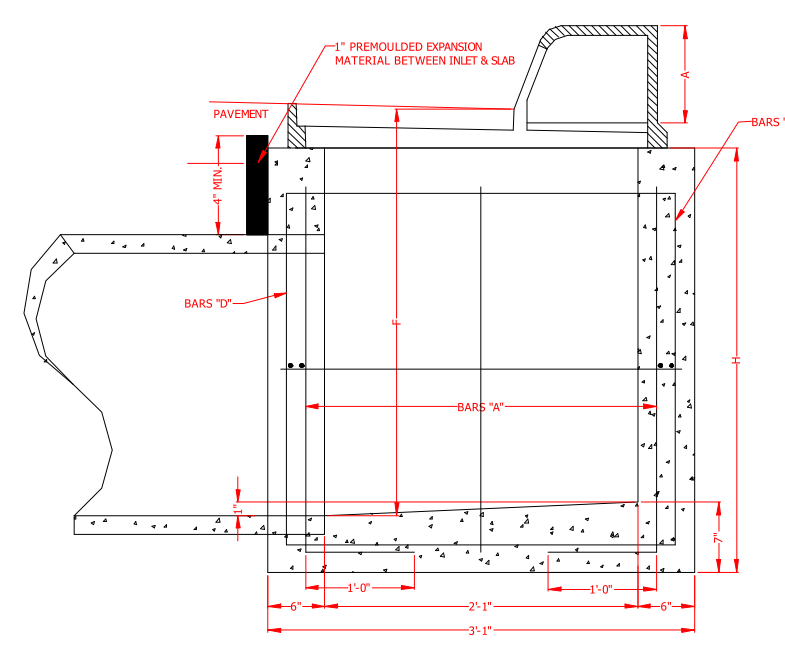
STORM SEWER INLET CAST IN STEEL GRATING TYPE - B



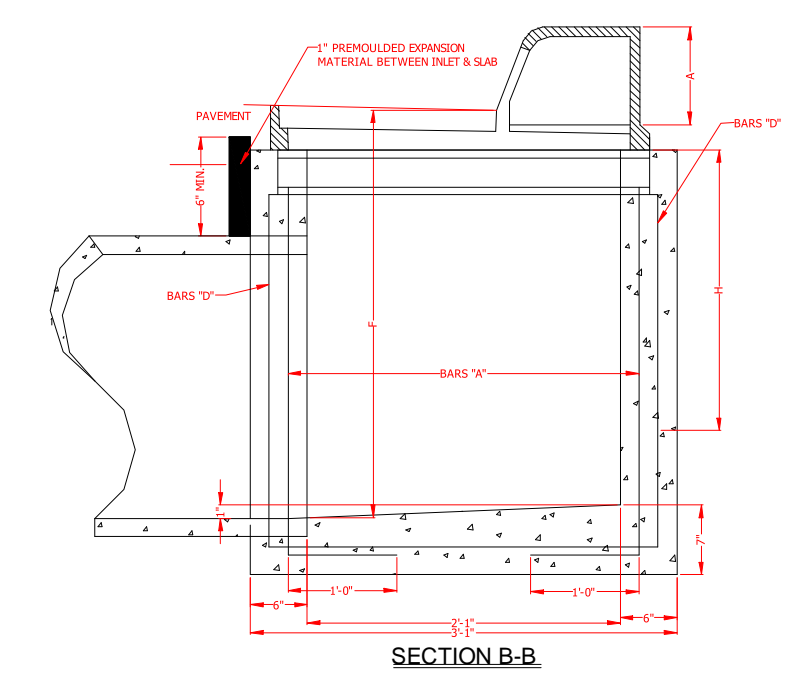
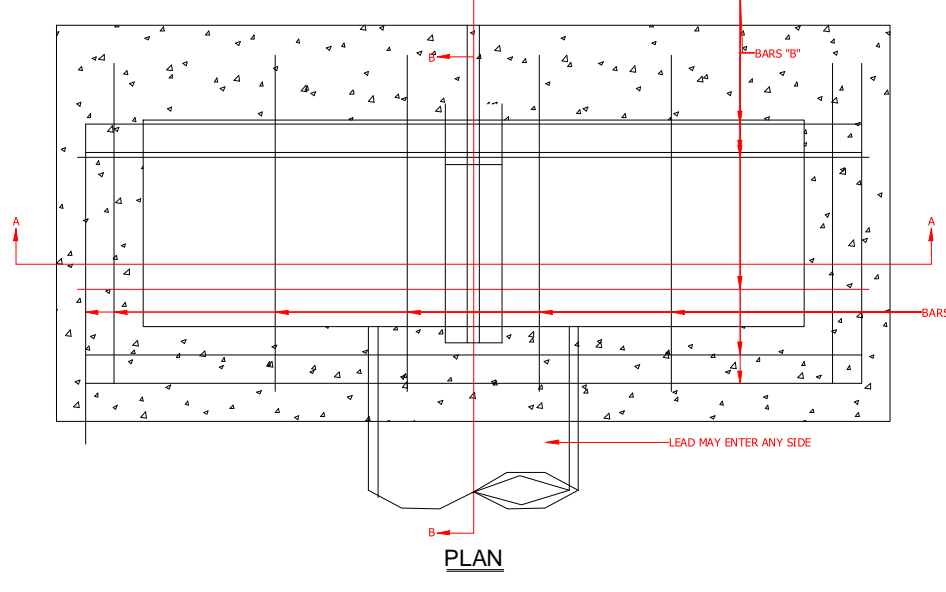
#2 CAST IRON STORM SEWER CURB INLET HOOD



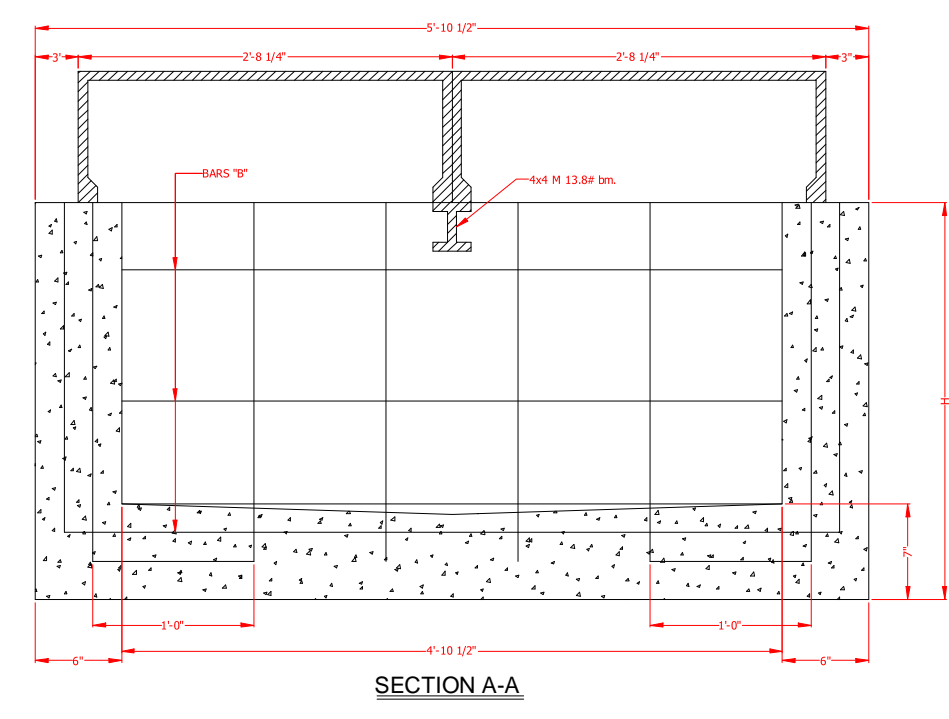
DETAIL SHOWING COMBINATION OF CURB AND INLETS



#2 CAST IRON STORM SEWER CURB INLET HOOD



#2 CAST IRON STORM SEWER INLET FRAME WITH CURB INLET



SECTION A-A

VARIABLE DIMENSION FOR ALL CURB CASTINGS			
	A	B	C
6" CURB FACE	7"	11 3/8"	8 1/4"
8" CURB FACE	9"	13 3/8"	10 1/4"

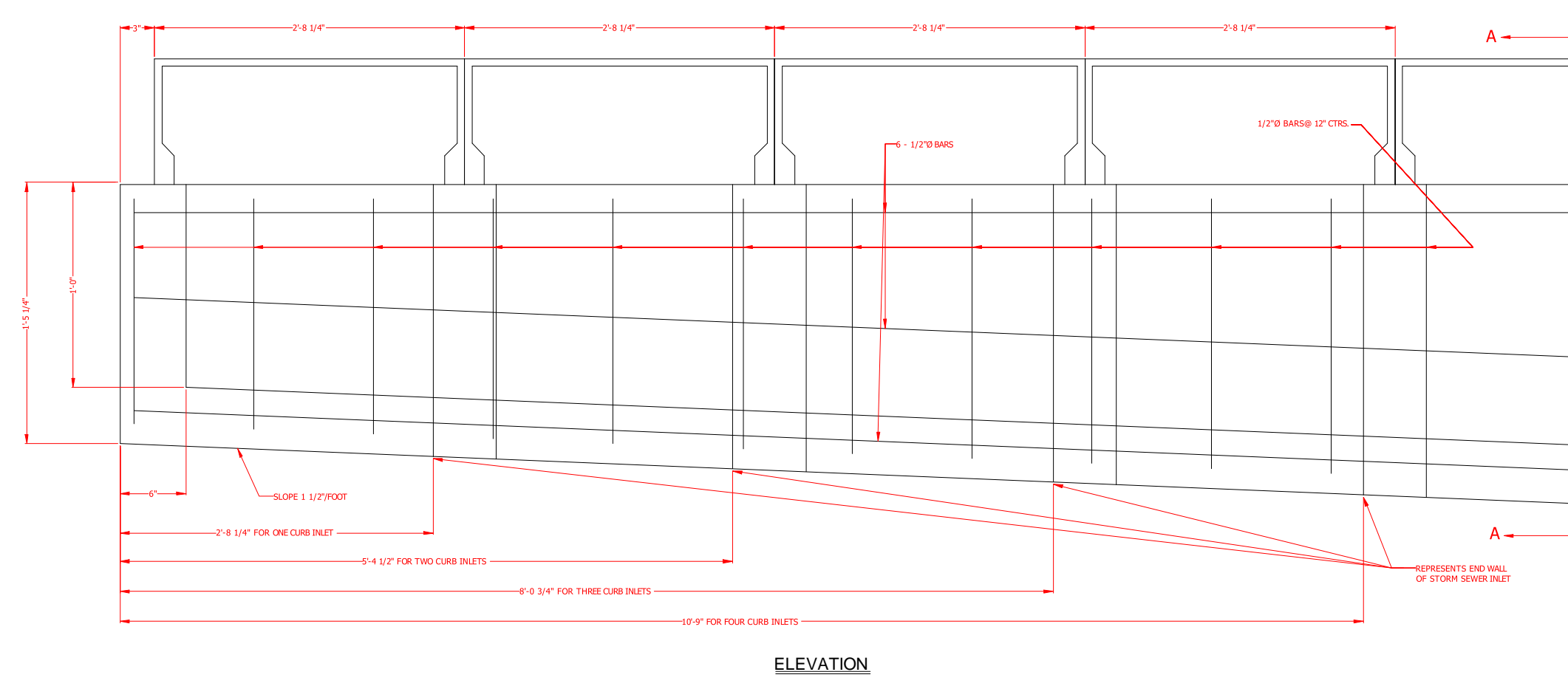
BAR LIST & QUANTITIES FOR DOUBLE GRATE & CURB INLET				
SIZE OF LEAD	H MINIMUM	F MINIMUM	CLASS A CONC. C.Y.	REINF. STL. LBS.
18"	2'-8 1/2"	2.57 FT.	1.02	137
24"	3'-3"	3.11 FT.	1.18	147
30"	3'-9 1/2"	3.66 FT.	1.34	180

LEAD	PER ADDITIONAL FOOT OF DEPTH		BARS A (MIN)			
	CONC. C.Y.	CONC. C.Y.	SIZE	#		
18"	0.295	*19.0	1/2" x (H-8")	14		
18"			1/2" x (H-8")	14		
18"			1/2" x (H-8")	14		
LEAD	BARS B		BARS C		BARS D (MIN)	
	SIZE	#	SIZE	#	SIZE	#
18"	1/2" x 5'-6"	14	1/2" x 2'-9"	16	1/2" x (H-4")	14
18"	1/2" x 5'-6"	14	1/2" x 2'-9"	16	1/2" x (H-4")	14
18"	1/2" x 5'-6"	18	1/2" x 2'-9"	20	1/2" x (H-4")	14

QUANTITIES OF ANGLE IRON FOR CURB INLETS			
INLET#	# PIECES	LENGTH OF 3' X 3' ?	
2-0	1		
2-1	1	5'-1 5/8"	
2-2	1	10'-6 1/8"	
2-3	2	15'-10 5/8"	
2-4		10'-6 1/8"	

\* HORIZONTAL BARSS ARE APPROXIMATELY 12" CENTERS WHEN ADDITIONAL BARS ARE REQUIRED DUE TO INCREASE OF DEPTH OF INLET 22.5 LBS OF REINFORCING STEEL IS TO BE ADDED FOR EACH SET OF BARS.

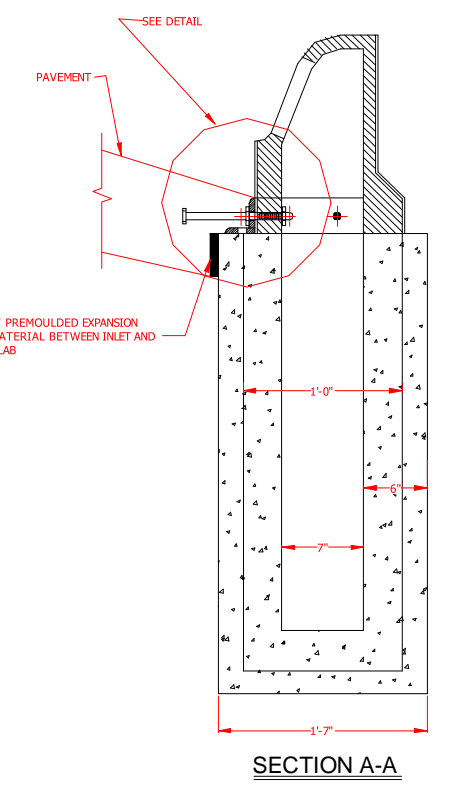
**NOTE:**  
ALL COST OF 4X4 M 13.8 #8M SUPPORTS FOR GRATE FRAME TO BE INCLUDED IN THE PRICE OF BID FOR INLET FRAMES AND GRATES.



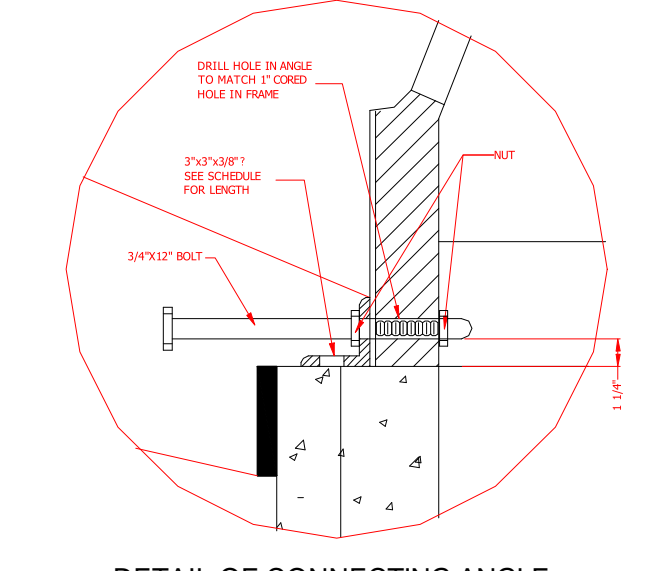
ELEVATION

BAR LIST AND QUANTITIES FOR SINGLE GRATE AND CURB INLETS														
SIZE OF LEAD	H (MIN)	F (MIN)	CLASS A CONC. C.Y.	REINF. STL. LBS.	PER ADDITIONAL FOOT OF DEPTH		BARS A (MIN)		BARS B		BARS C		BARS D (MIN)	
					CONC. C.Y.	VERT. STL. LBS.	SIZE	#	SIZE	#	SIZE	#	SIZE	#
15"	2'-3 1/4"	2.14 FT.	0.54	86	0.20	*13.6	1/2" x (H+8")	10	1/2" x 2'-10"	14	1/2" x 2'-9"	14	1/2" x (H+4")	10
18"	2'-6 1/2"	2.14 FT.	0.59	90			1/2" x (H+8")	10	1/2" x 2'-10"	14	1/2" x 2'-9"	14	1/2" x (H+4")	10
24"	3'-1"	2.95 FT.	0.70	97			1/2" x (H+8")	10	1/2" x 2'-10"	14	1/2" x 2'-9"	14	1/2" x (H+4")	10

\* HORIZONTAL BARSS ARE APPROXIMATELY 12" CENTERS WHEN ADDITIONAL BARS ARE REQUIRED DUE TO INCREASE OF DEPTH OF INLET. 15.2 lbs. OF REINFORCING STEEL IS TO BE ADDED FOR EACH ADDITIONAL SET OF BARS.



SECTION A-A



DETAIL OF CONNECTING ANGLE IRON & CAST IRON CURB

**NOTE:** ANGLE IRON TO BE BOLTED TO CURB WITH 3(3/4"X1/2") MACHINE BOLTS IN EACH CURB SECTION.



PREPARED BY:  
The City of Midwest City  
Development Services Department  
100 N. Midwest Blvd.  
Midwest City, Oklahoma 73112

**GENERAL NOTES:**

- CASTING SHALL CONFORM TO THE A.S.T.M. SPECIFICATIONS FOR GRAY-IRON CASTINGS, SERIAL DESIGNATION A-48-29.
- NO WORDING OR MARKING OF ANY KIND OTHER THAN THOSE SHOWN ON THE PLANS WILL BE PERMITTED ON THESE CASTINGS.
- ALL BOLT REQUIREMENTS FOR THESE STRUCTURES WILL BE MACHINE BOLTS.

QUANTITIES FOR CURB INLETS		
	CLASS A CONC.	STEEL
ONE CURB INLET	.020	26
TWO CURB INLET	0.43	44
THREE CURB INLET	0.69	62
FOUR CURB INLET	0.95	80

- CURB INLETS SHALL BE PLACED ON UPSTREAM SIDE OF GRATE INLETS UNLESS OTHERWISE SPECIFIED. CONCRETE TROUGH FOR CURB INLETS AND CONCRETE STORM SEWER INLETS SHALL BE CONSTRUCTED AS ONE UNIT.

**CITY STANDARD DETAILS**

**STANDARD STORM SEWER INKLETS DESIGN 2 INLET WITH CAST STEEL HOODS**

Q:\Devserv\Engineering\City Standard Details\Storm Sewer Inlets.dwg

<b>CITY ENGINEER:</b> J. Derek Jackson	<b>SCALE:</b> N.T.S.	<b>DRAWN BY:</b> TEB	<b>DATE:</b> 20 July 2005
---	-------------------------	-------------------------	------------------------------